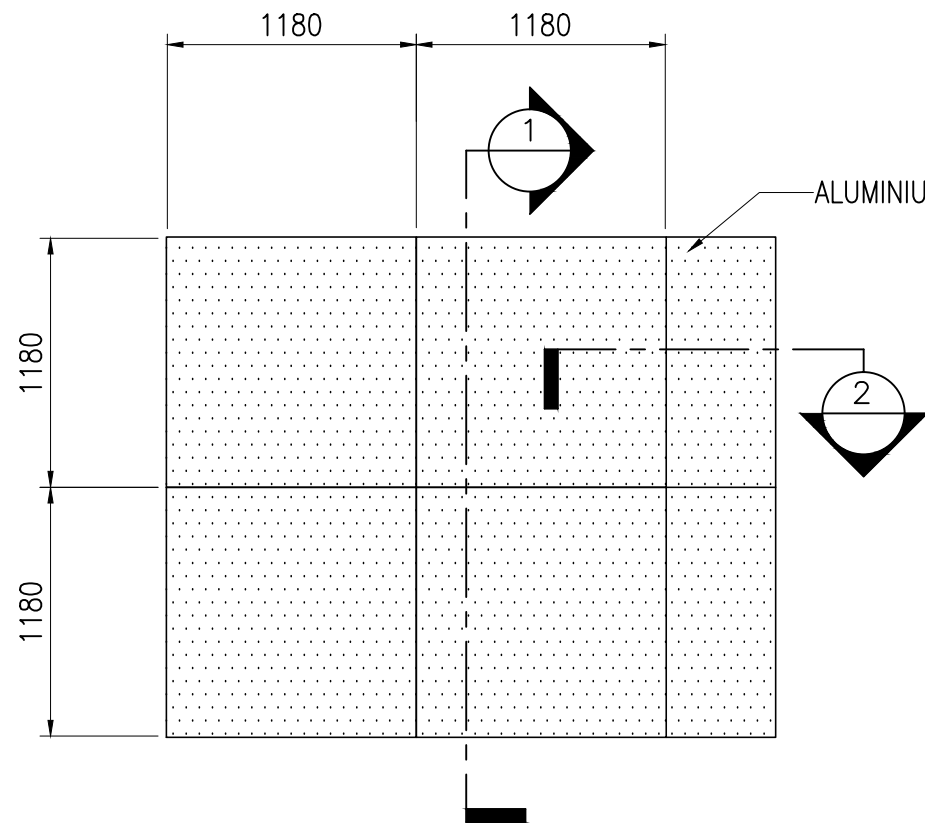


REVISION	DESCRIPTION	DATE	CHECKED
1			

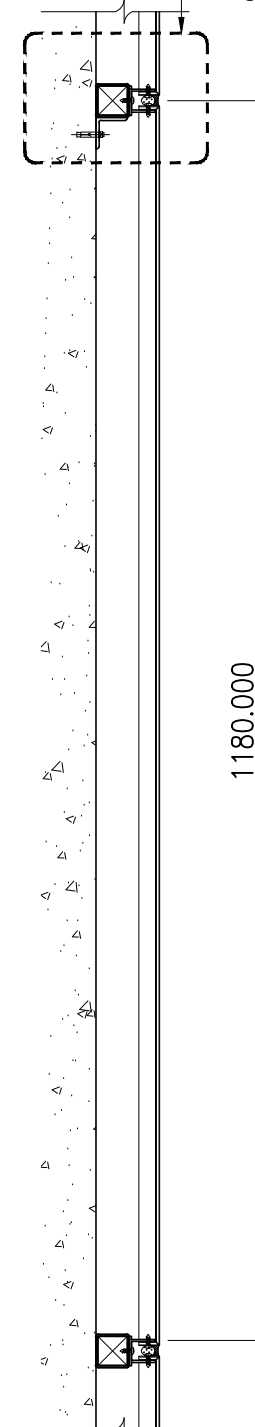


**ELEVATION**

SCALE 1:50

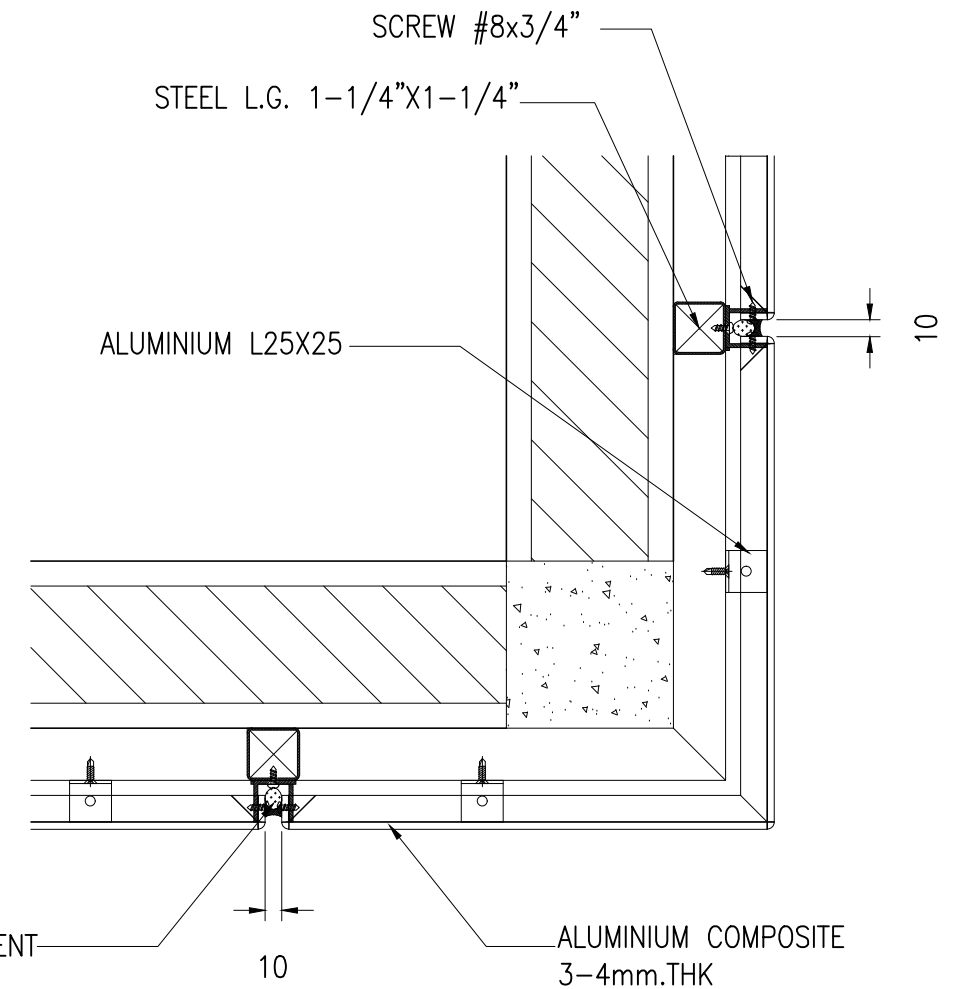
ALUMINIUM COMPOSITE 3-4mm.THK.

SEE DETAIL A



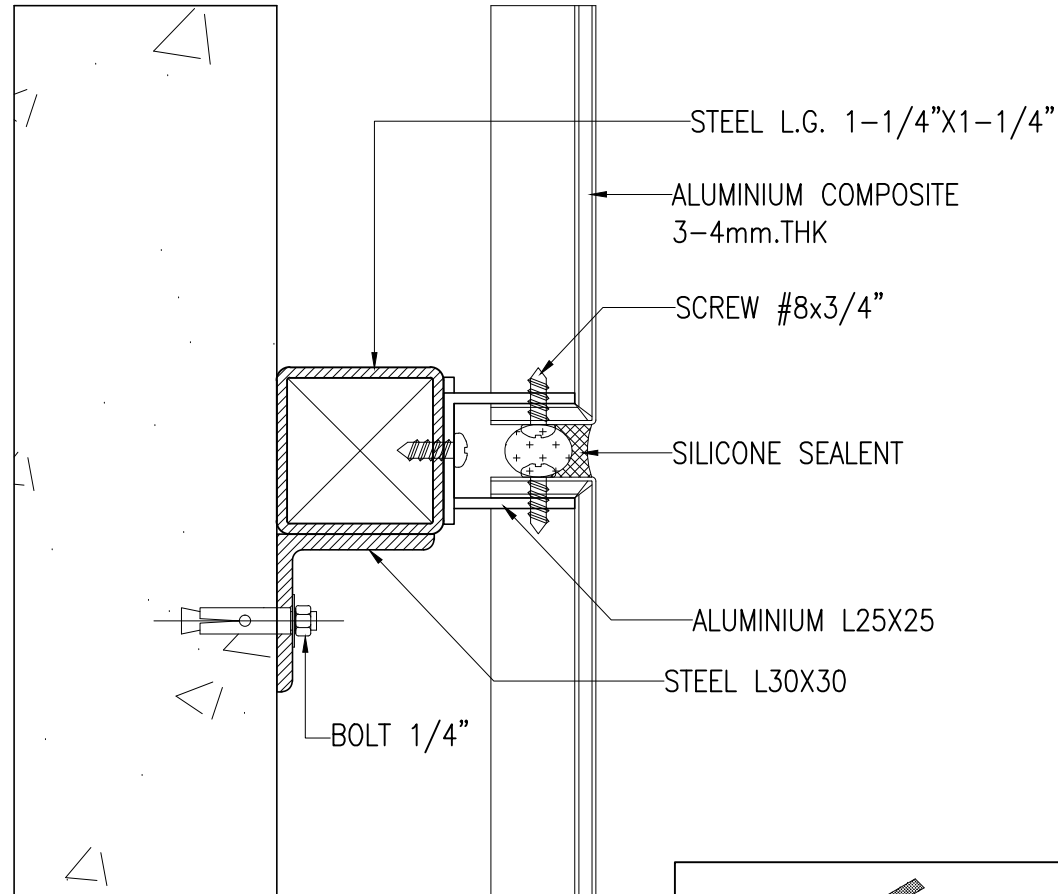
**SECTION 1**

SCALE 1:10



**SECTION 2**

SCALE 1:10



**DETAIL A**

SCALE 1:2

**FameLine**  
 ARCHITECTURAL PRODUCTS  
 WARNING: ALL DESIGN AND DRAWING  
 ARE PROPERTY OF FAMELINE PRODUCTS CO.,LTD.  
 CANNOT USED WITHOUT THEIR PERMISSION

PROJECT :

REFERENCE :

APPROVED

DRAWN BY :

DWG. NO.

TITLE :

DSR No. -

PDM.

ISSUE : --

DATE :

TOTAL

แบบขยาย ALU.COMPOSITE

Revision : 0

SCALE:1:1

REVISION 0