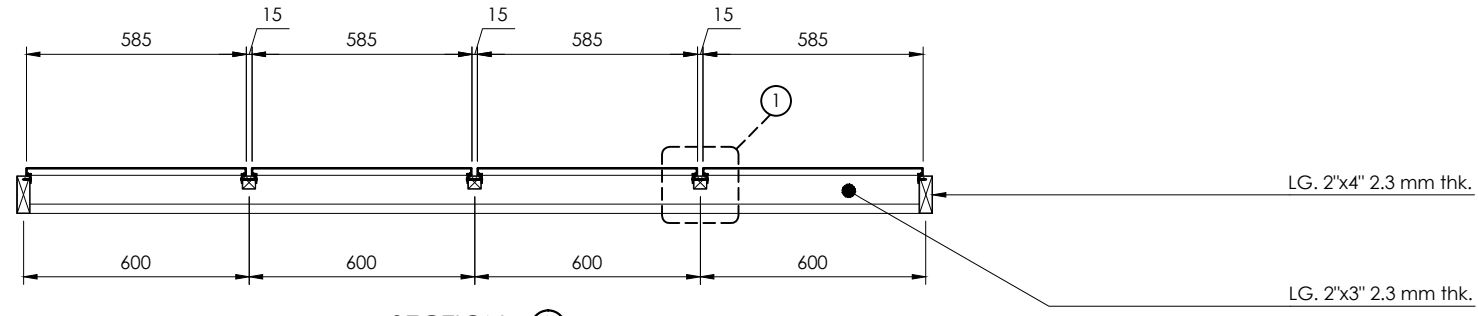
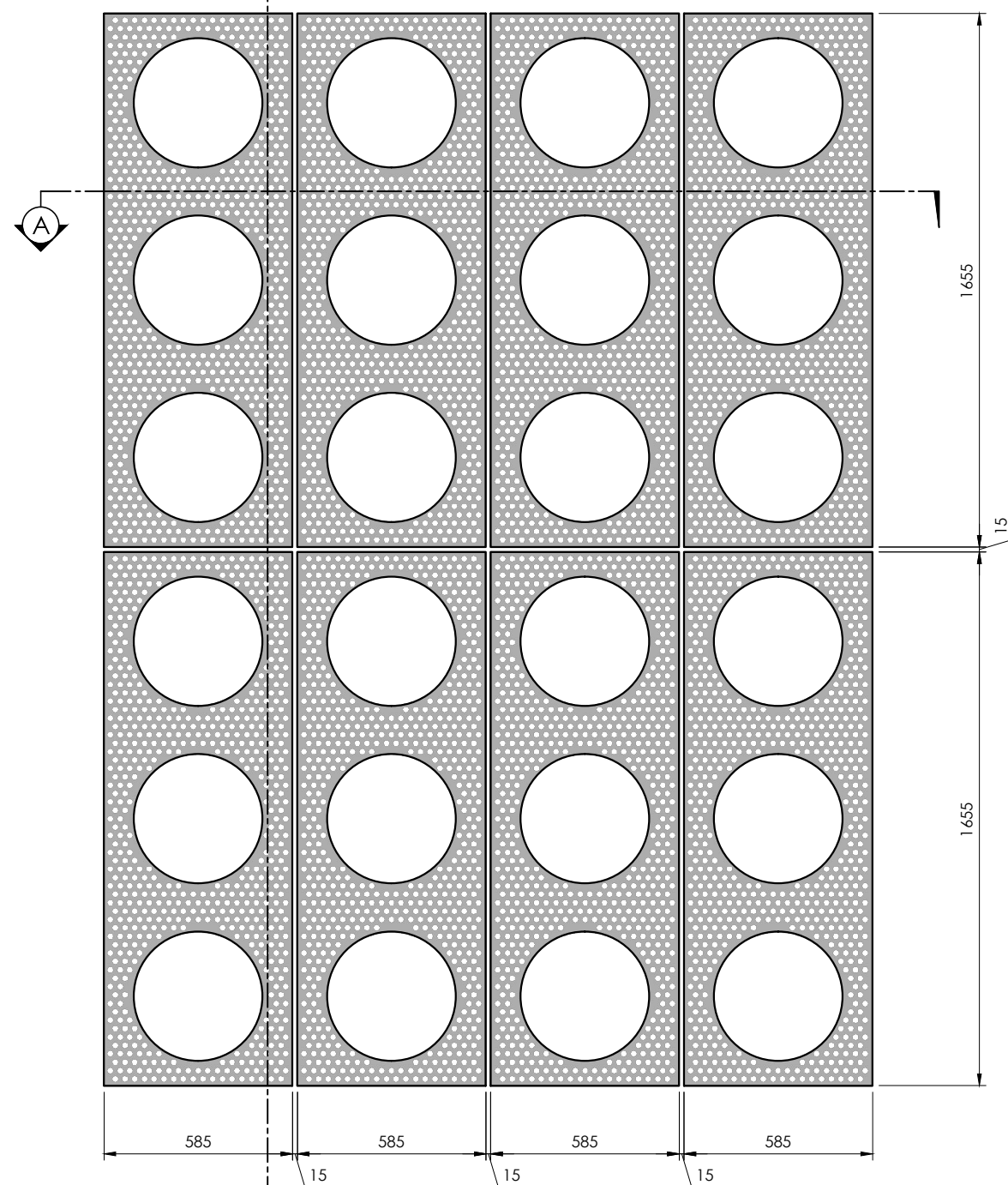


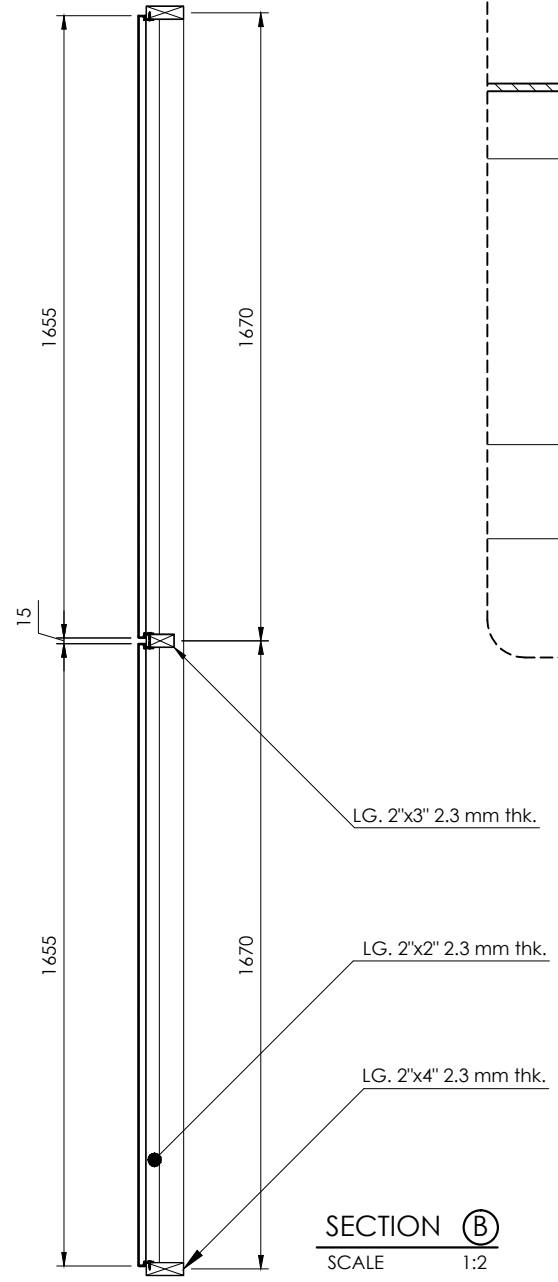
REVISION	DESCRIPTION	DATE	CHECKED
△			



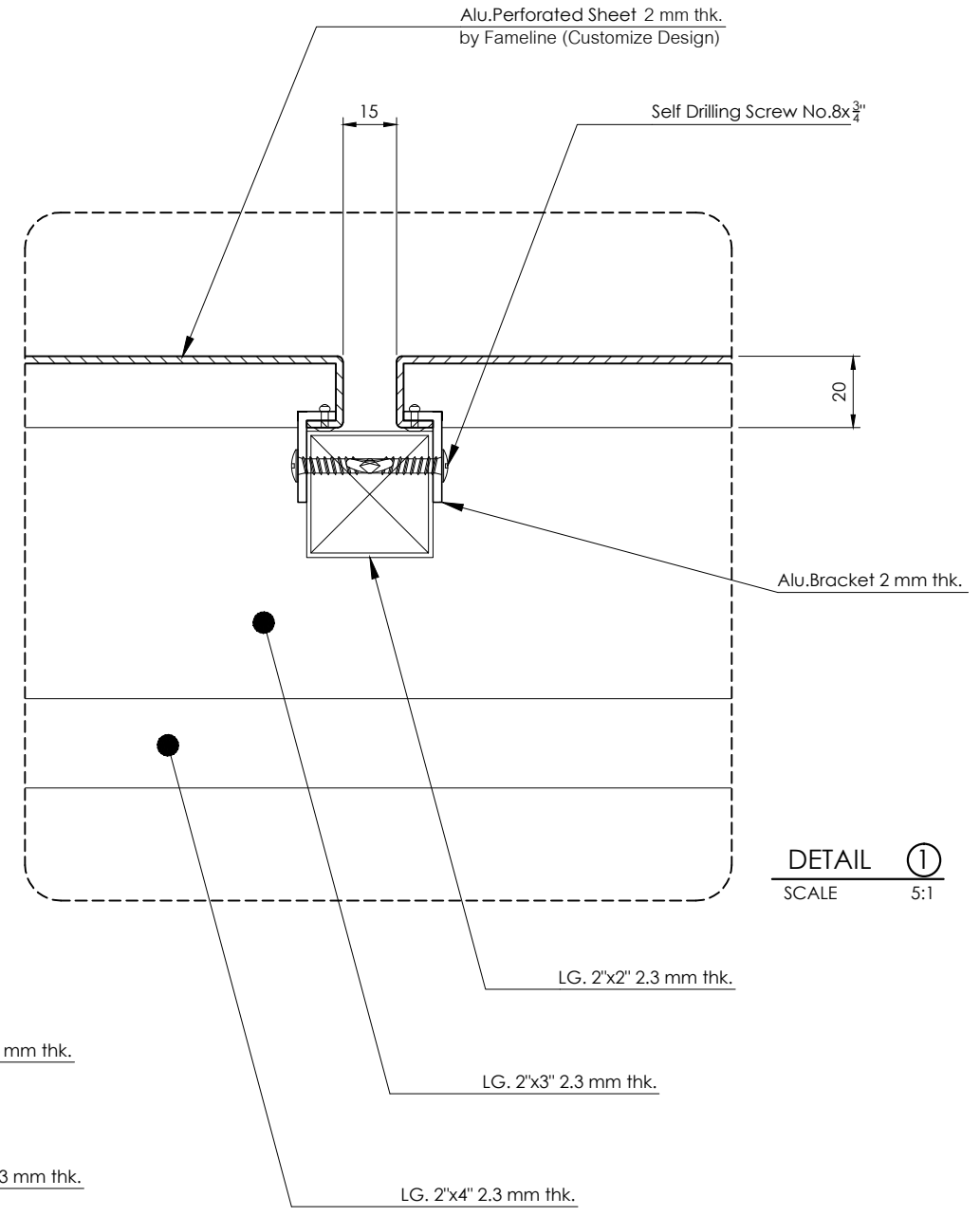
SECTION (A)
SCALE 1:2



FRONT VIEW
SCALE 1:2



SECTION (B)
SCALE 1:2



DETAIL ①
SCALE 5:1

<p>ARCHITECTURAL PRODUCTS WARNING: ALL DESIGN AND DRAWING ARE PROPERTY OF FAMELINE PRODUCTS CO.,LTD. CANNOT USED WITHOUT THEIR PERMISSION</p>	PROJECT : รพ.บางขุนเทียน	REFERENCE :	CHECKED BY :	DRAWN BY :		DWG. No
	TITLE : Perforated Facade	DSR No. -	APPROVED BY (PDM)	ISSUE : 0	DATE :	TOTAL
	Revision : 0			SCALE :	REVISION 0	0