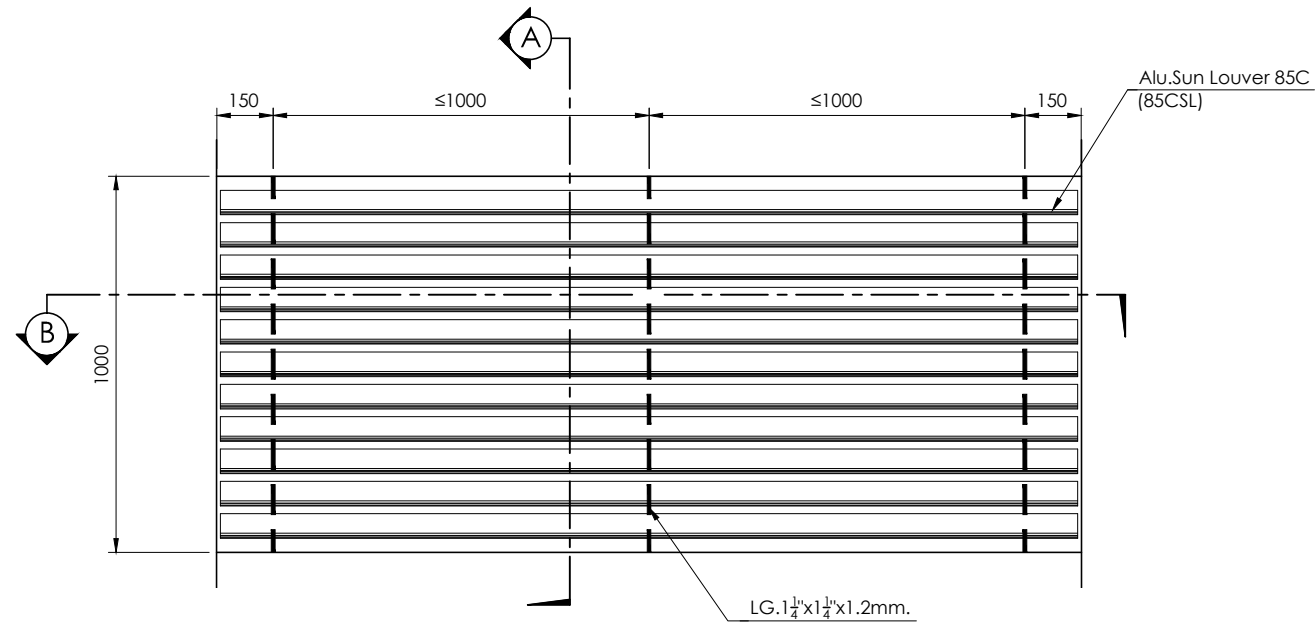
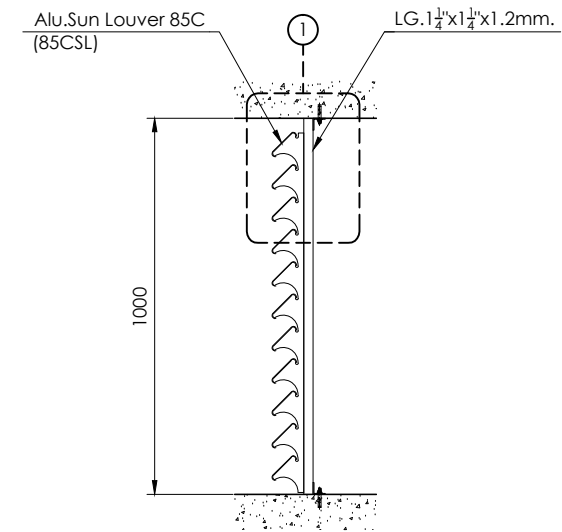


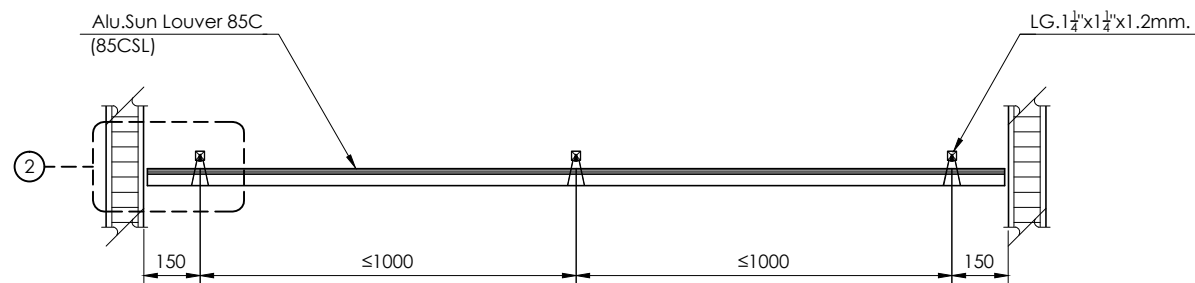
| REVISION | DESCRIPTION | DATE | CHECKED |
|----------|-------------|------|---------|
| △        |             |      |         |



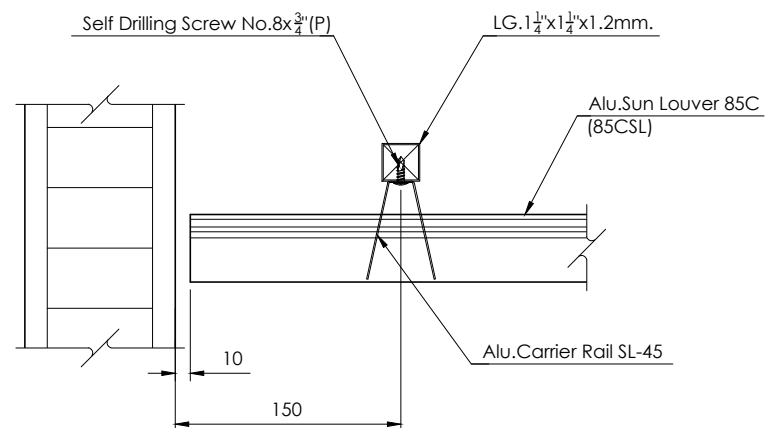
**ELEVATION**  
SCALE 1:20



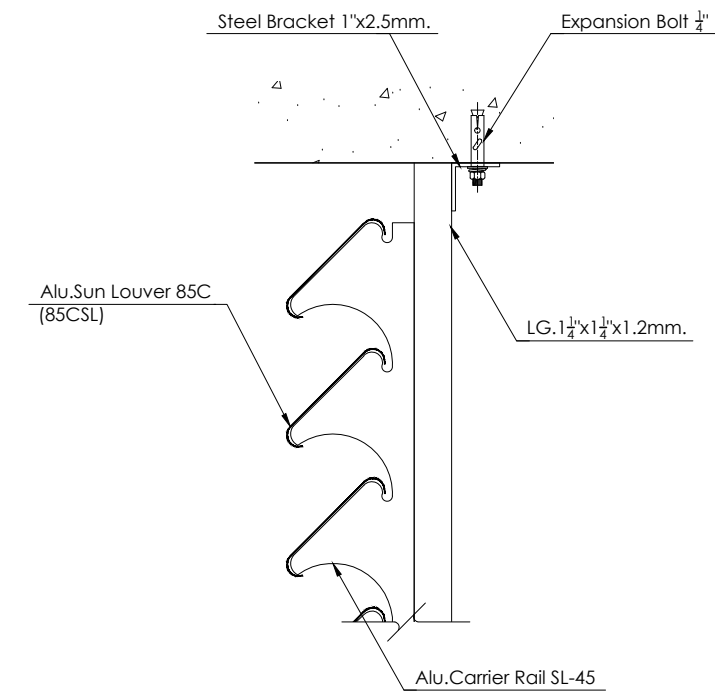
**SECTION A**  
SCALE 1:20



**SECTION B**  
SCALE 1:20



**DETAIL 2**  
SCALE 1:5



**DETAIL 1**  
SCALE 1:5

|   |                          |              |                   |            |                   |            |
|---|--------------------------|--------------|-------------------|------------|-------------------|------------|
| <p>ARCHITECTURAL PRODUCTS<br/>WARNING: ALL DESIGN AND DRAWING ARE PROPERTY OF FAMELINE PRODUCTS CO.,LTD. CANNOT USED WITHOUT THEIR PERMISSION</p> | PROJECT :                | REFERENCE :  | CHECKED BY :      | DRAWN BY : |                   | DWG. NO.   |
|   | STANDARD DRAWING         | DSR No. -    |                   | ISSUE : 0  | DATE : 00/00/0000 | 00 / SH-01 |
|   | TITLE :                  | Revision : 0 | APPROVED BY (PDM) | SCALE :    | REVISION 0        | TOTAL      |
|   | ALU.SUN LOUVER 85C/SL-45 |              |                   |            |                   | 0          |