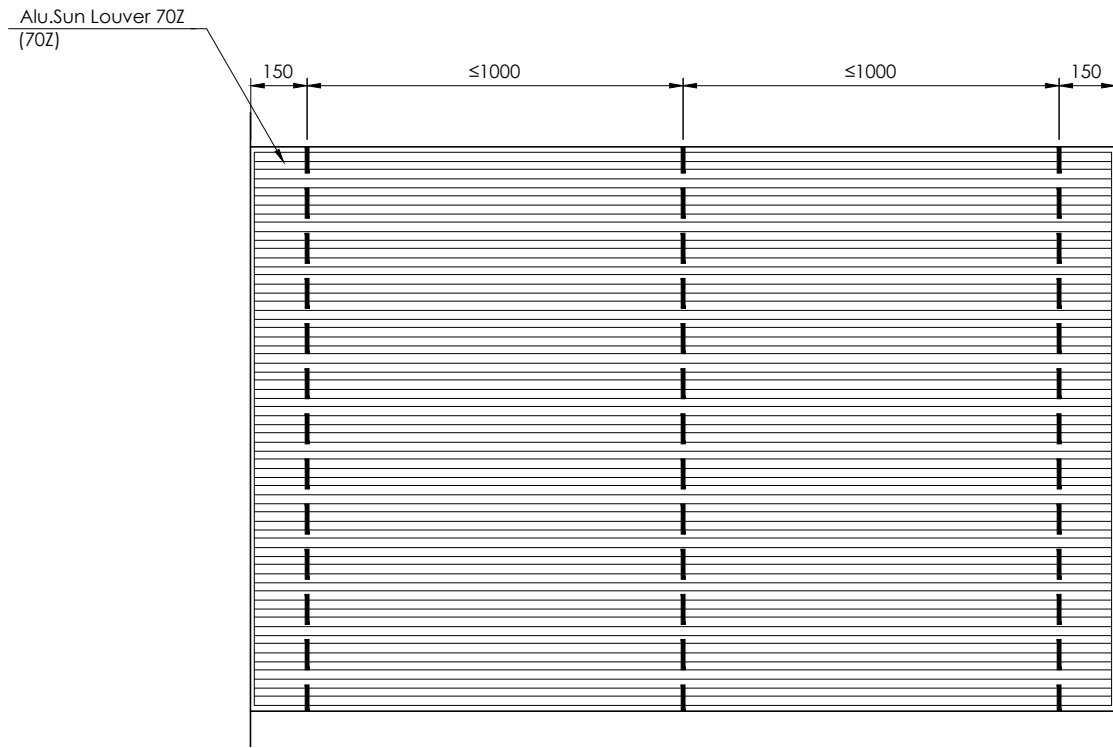
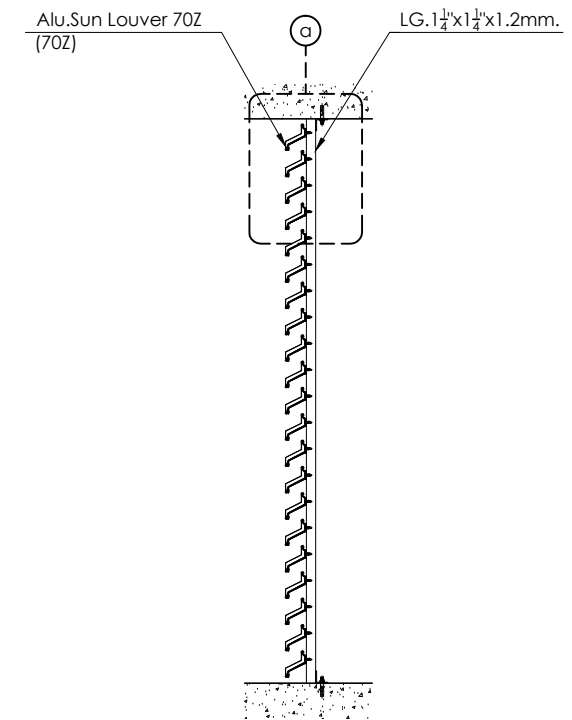


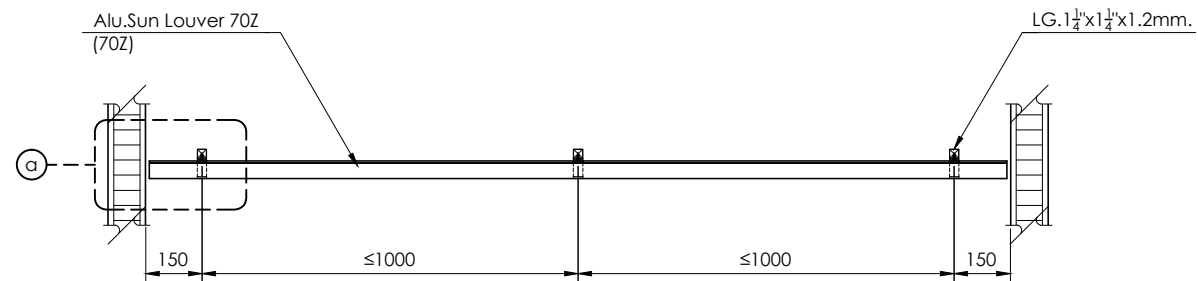
REVISION	DESCRIPTION	DATE	CHECKED
△			



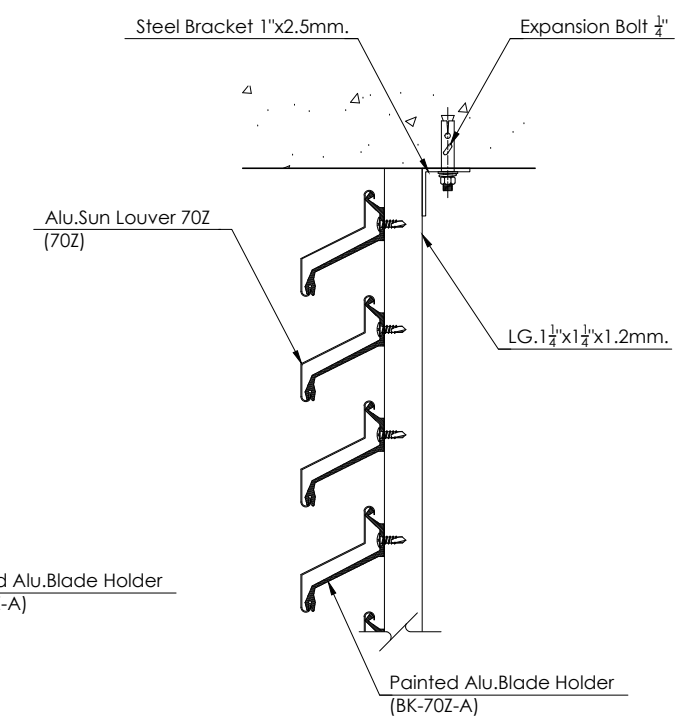
ELEVATION
SCALE 1:20



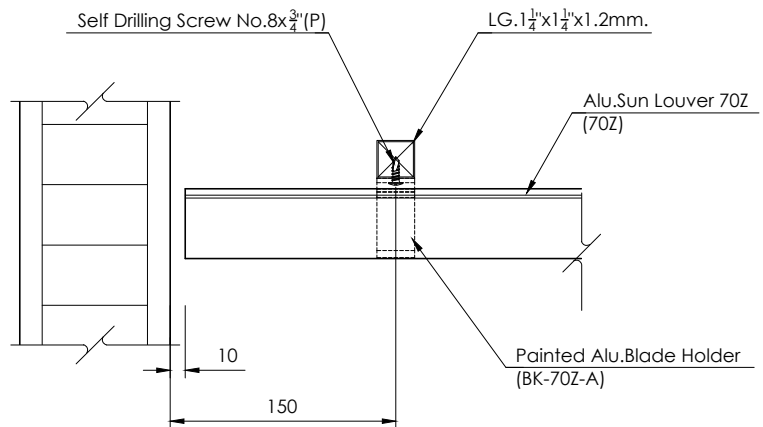
SECTION A
SCALE 1:20



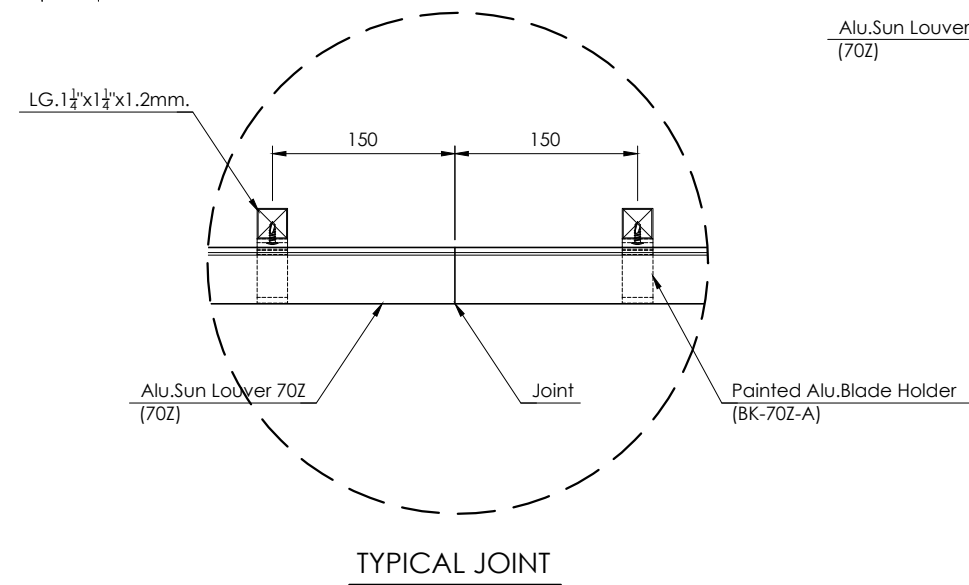
SECTION B
SCALE 1:20



DETAIL 1
SCALE 1:5



DETAIL 2
SCALE 1:5



TYPICAL JOINT

<p>ARCHITECTURAL PRODUCTS WARNING: ALL DESIGN AND DRAWING ARE PROPERTY OF FAMELINE PRODUCTS CO.,LTD. CANNOT USED WITHOUT THEIR PERMISSION</p>	PROJECT :	REFERENCE :	CHECKED BY :	DRAWN BY :		DWG. NO.
	STANDARD DRAWING	DSR No. -		ISSUE : 0	DATE : 00/00/0000	00/SSH001
	TITLE :	Revision : 0	APPROVED BY (PDM)	SCALE :	REVISION 0	TOTAL
	ALU.SUN LOUVER 70Z					0