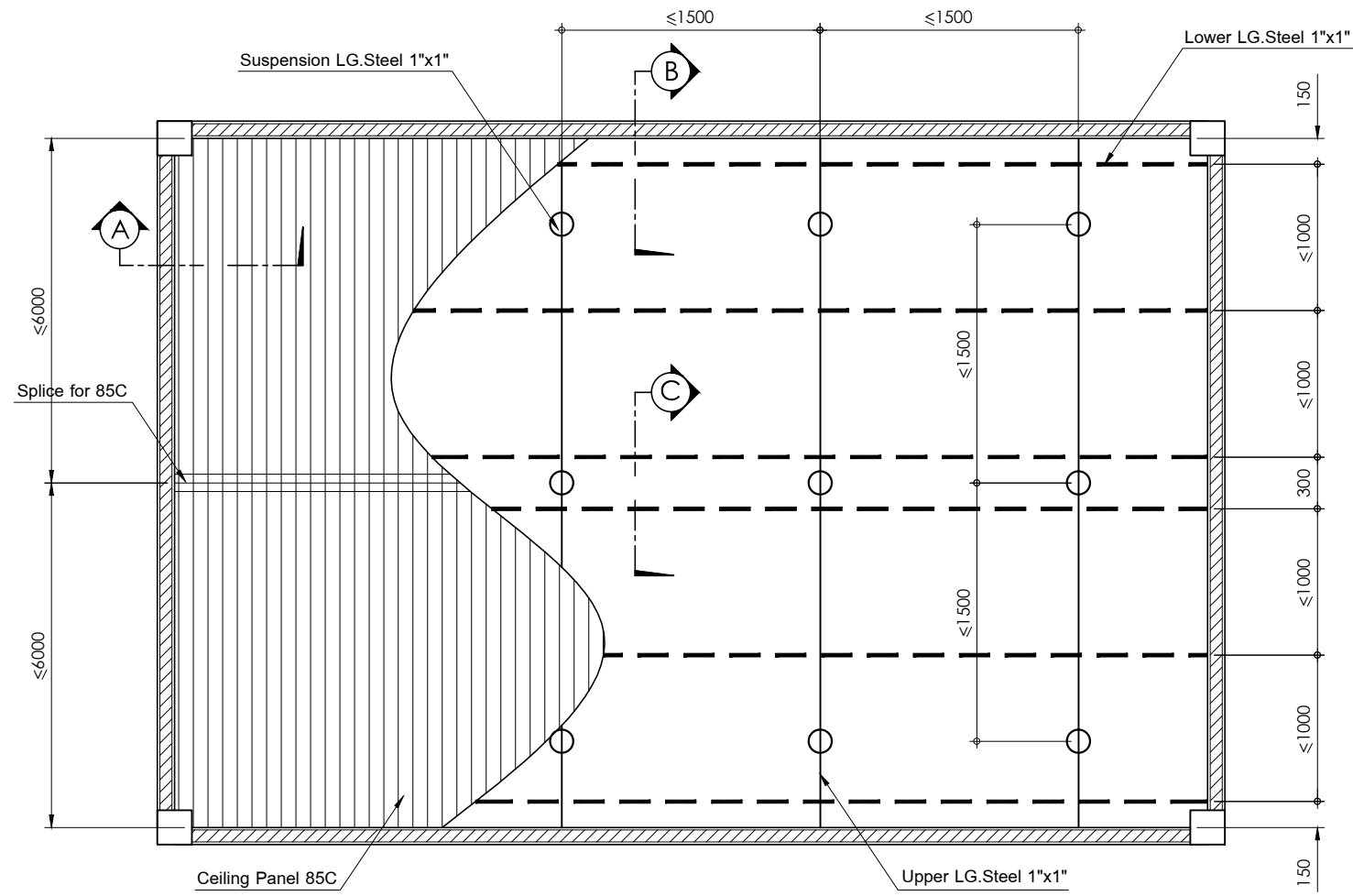
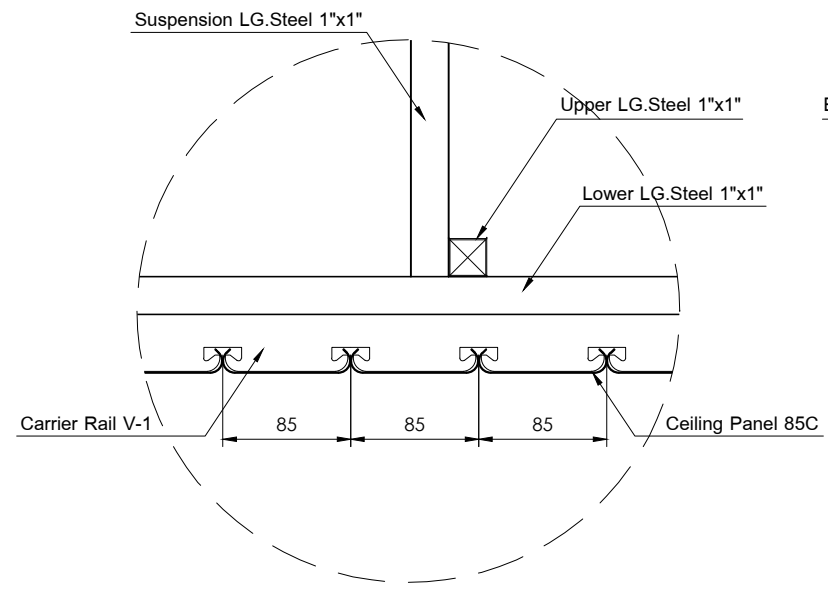


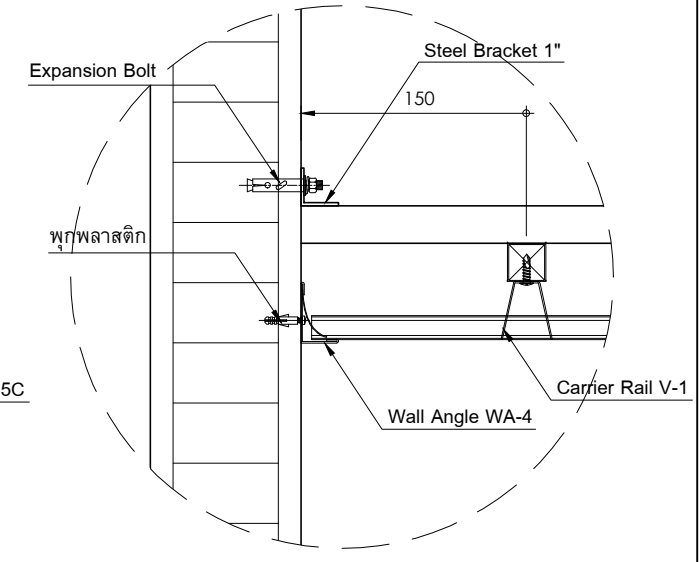
REVISION	DESCRIPTION	DATE	CHECKED
△			



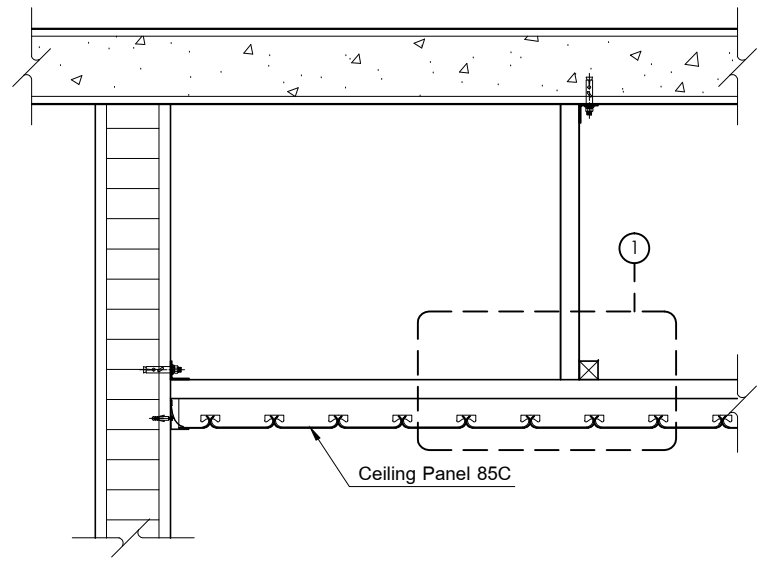
**CEILING PLAN**  
SCALE 1:40



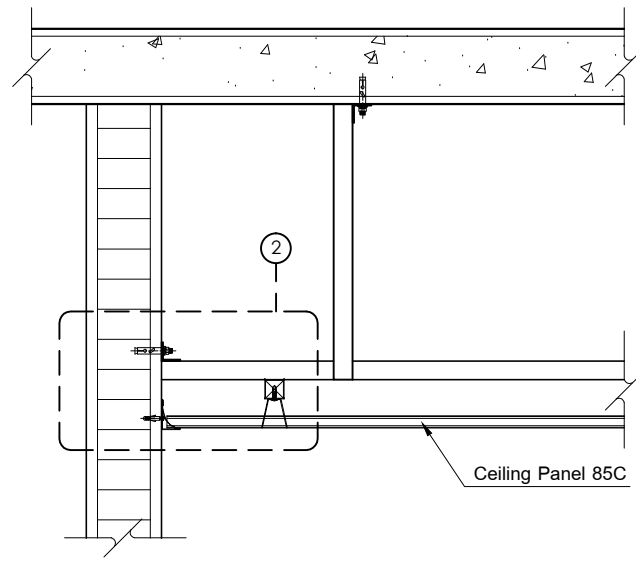
**DETAIL ①**  
SCALE 1:5



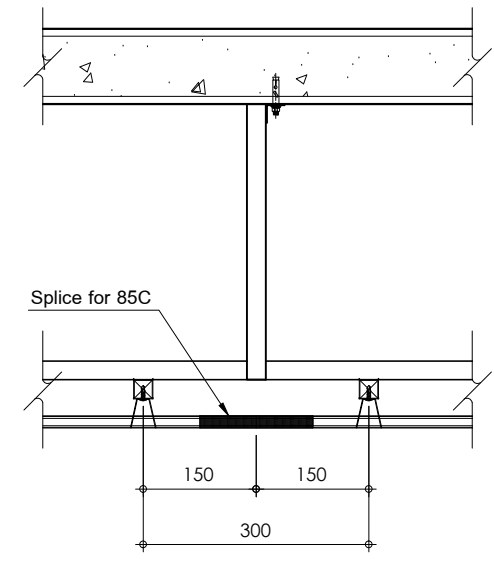
**DETAIL ②**  
SCALE 1:5



**SECTION A**  
SCALE 1:10



**SECTION B**  
SCALE 1:10



**SECTION C**  
SCALE 1:10

<p><b>Fameline</b> ARCHITECTURAL PRODUCTS WARNING: ALL DESIGN AND DRAWING ARE PROPERTY OF FAMELINE PRODUCTS CO.,LTD. CANNOT BE USED WITHOUT THEIR PERMISSION</p>	PROJECT : STANDARD DRAWING	REFERENCE : DSR No. -	CHECKED BY	DRAWN BY :		DWG. NO. 00 / SH-00
	TITLE : LINEAR CEILING 85C/V1	Revision : 0	APPROVED BY (PDM)	ISSUE : 0	DATE : 00/00/0000	TOTAL 0
				SCALE :	REVISION 0	