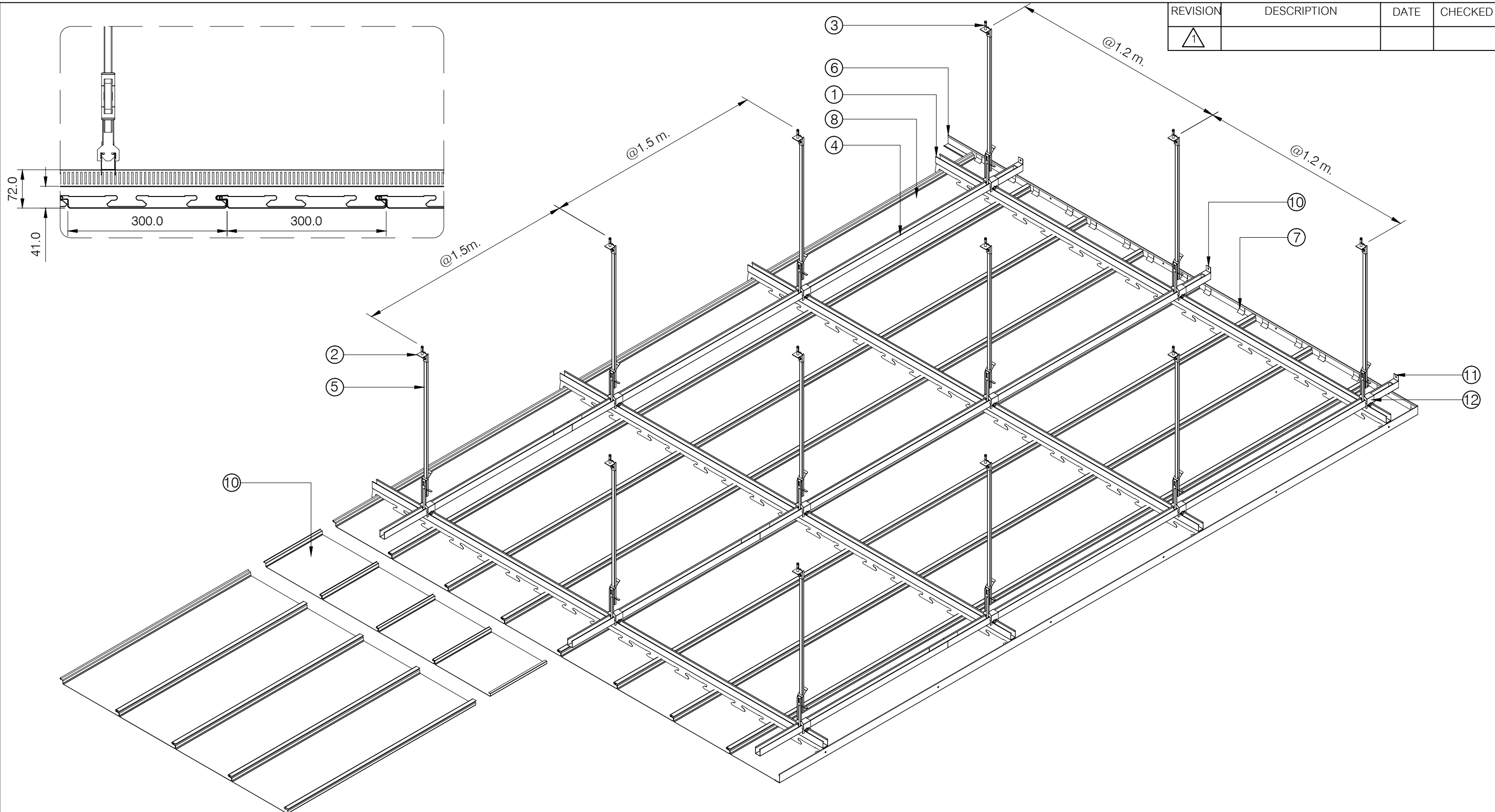


REVISION	DESCRIPTION	DATE	CHECKED
1			



LINEAR CEILING 300FV

- | | |
|--|-------------|
| 1. Lower Galvanized U-Profile @1.20 m. | : U-2531 |
| 2. Galvanized Steel Bracket | : BK-15 |
| 3. Expansion Blot 1/4" | : EB-02 |
| 4. Upper Galvanized U-Profile @1.50 m. | : U-2531 |
| 5. Suspension Rigid Hanger @1.50 m. | : RH-01 |
| 6. Wall Angle L-25x40x0.9(t) | : WA-4 |
| 7. Hold Down Clip | : HC-01 |
| 8. Ceiling Panel | : 300FV |
| 9. Carrier Rail | : V-300FV-A |
| 10. Spilice | : SPL-300FV |
| 11. Wall Bracket | : BK-04 |
| 12. U-Lock | : UL-01 |

FameLine
 ARCHITECTURAL PRODUCTS
 WARNING: ALL DESIGN AND DRAWING
 ARE PROPERTY OF FAMELINE PRODUCTS CO.,LTD.
 CANNOT USED WITHOUT THEIR PERMISSION

PROJECT : STANDARD PRODUCT	REFERENCE : DSR No. - Revision : 0	CHECKED BY APPROVED BY (PDM)	DRAWN BY : B. VUDHICHAJ ISSUE : 0 SCALE:1:1	DATE : 26/10/2009 REVISION 0	DWG. NO. 00 / SH-01 TOTAL 0
-------------------------------	--	---------------------------------------	---	---------------------------------	--------------------------------------