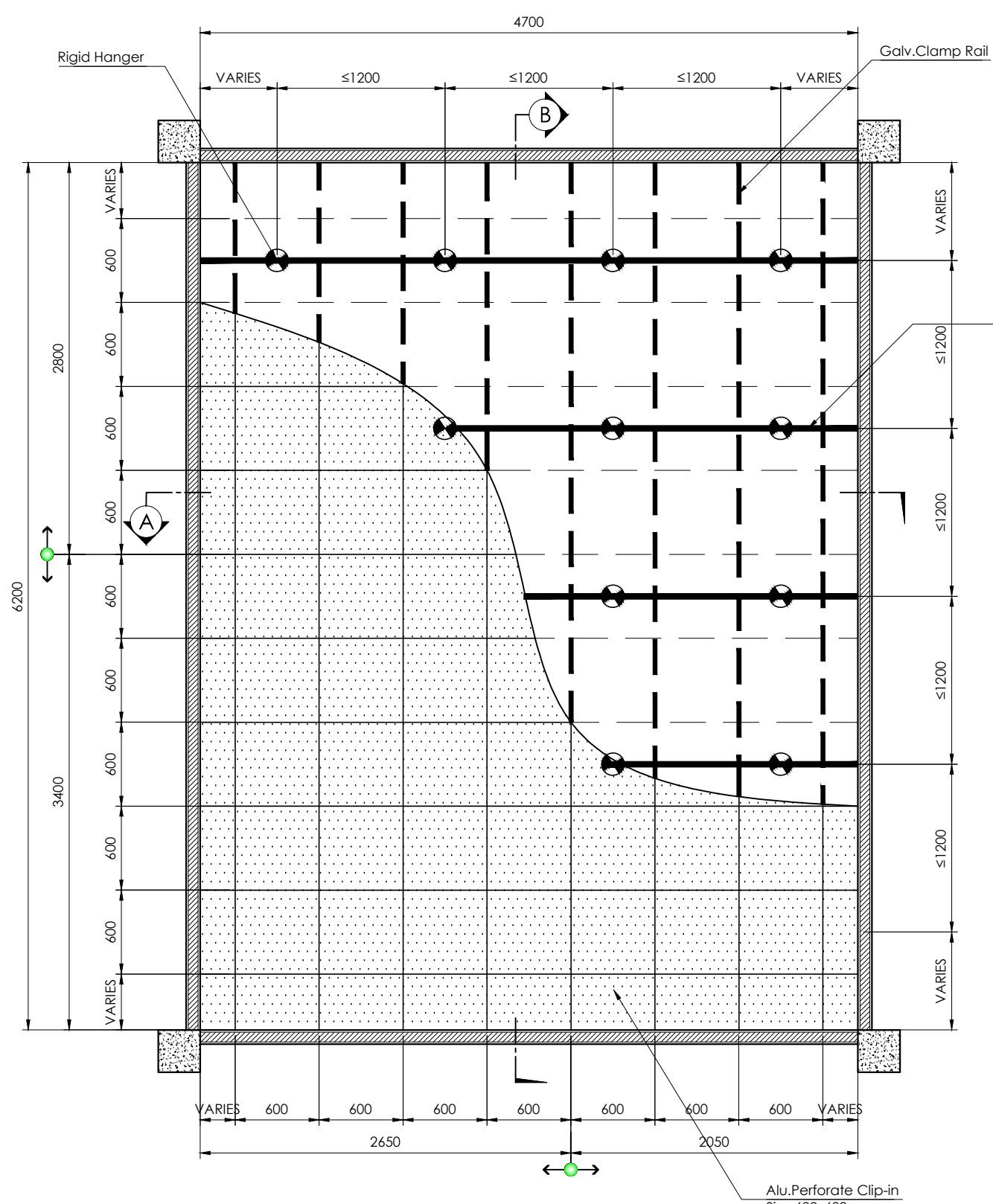
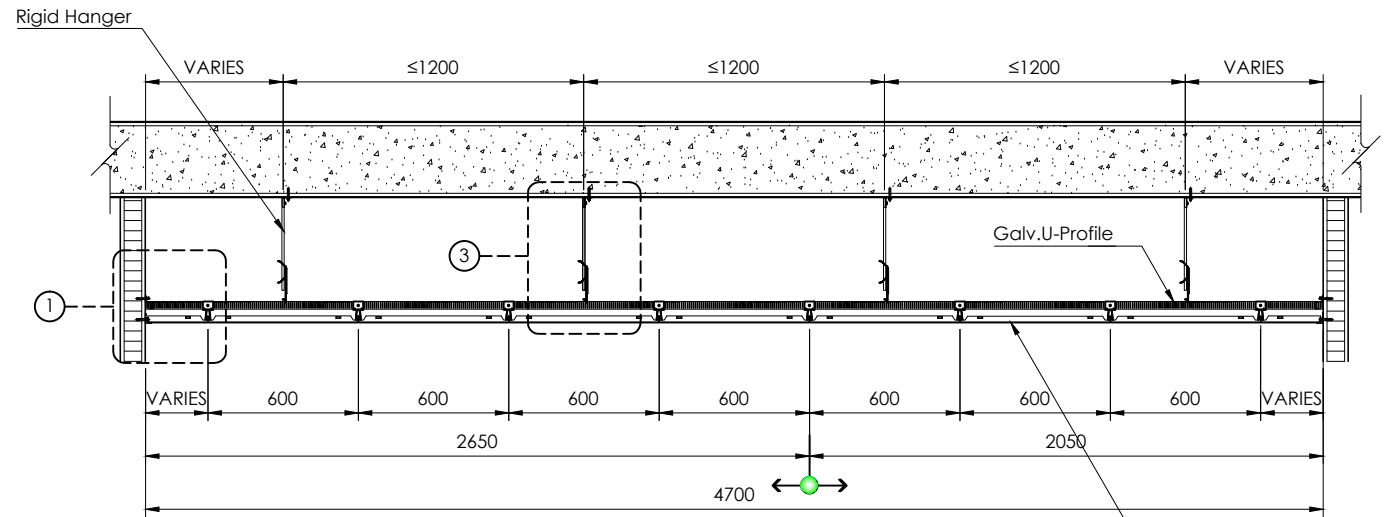


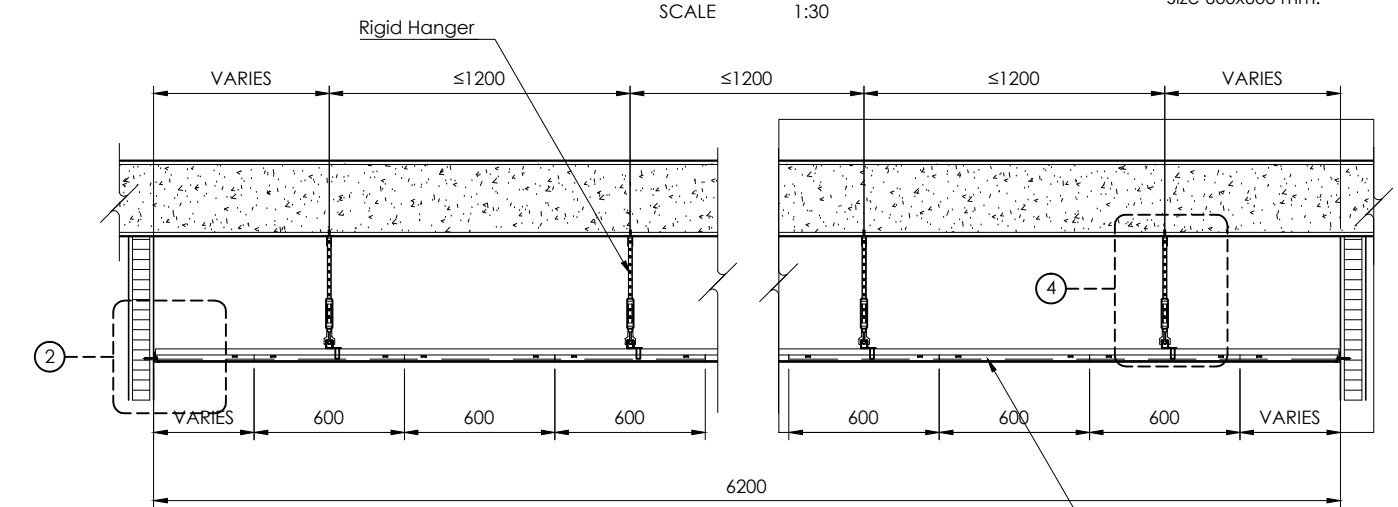
REVISION	DESCRIPTION	DATE	CHECKED
△			



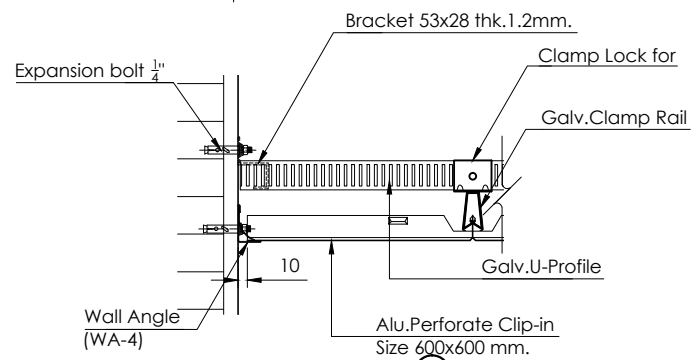
KEY PLAN
SCALE 1:40



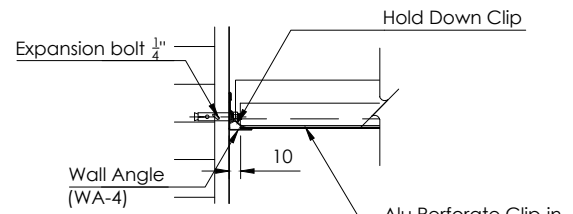
SECTION A
SCALE 1:30



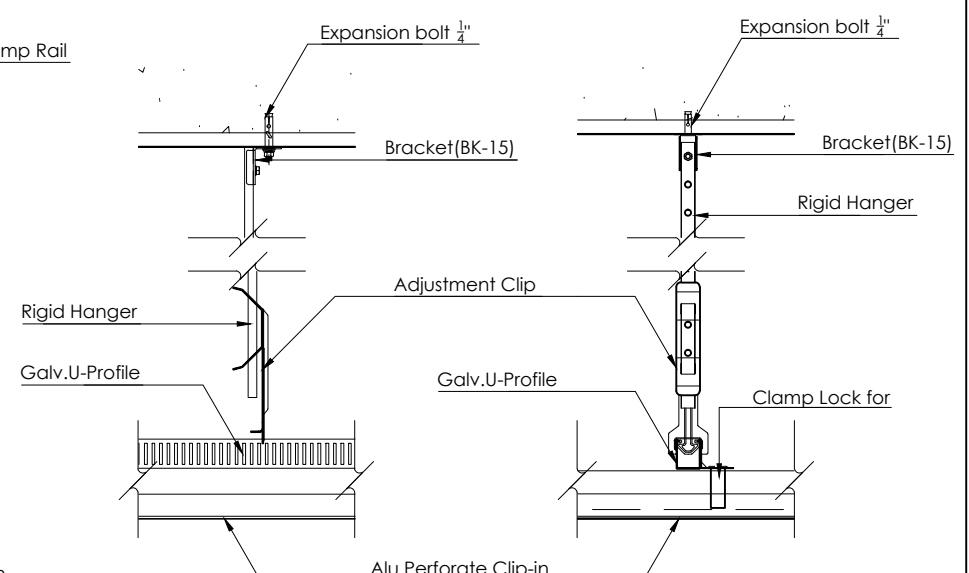
SECTION B
SCALE 1:30



DETAIL 1
SCALE 1:8



DETAIL 2
SCALE 1:8



DETAIL 3
SCALE 1:8

DETAIL 4
SCALE 1:8

<p>Fameline ARCHITECTURAL PRODUCTS WARNING: ALL DESIGN AND DRAWING ARE PROPERTY OF FAMELINE PRODUCTS CO.,LTD. CANNOT USED WITHOUT THEIR PERMISSION</p>	PROJECT: STANDARD DRAWING	REFERENCE: DSR No. -	CHECKED BY:	DRAWN BY: FAMELINE		DWG. No 00 / SH-01
	TITLE: CLIP-IN 600600	Revision: 0	APPROVED BY (PDM)	ISSUE : 0	DATE : 00/00/0000	TOTAL 0