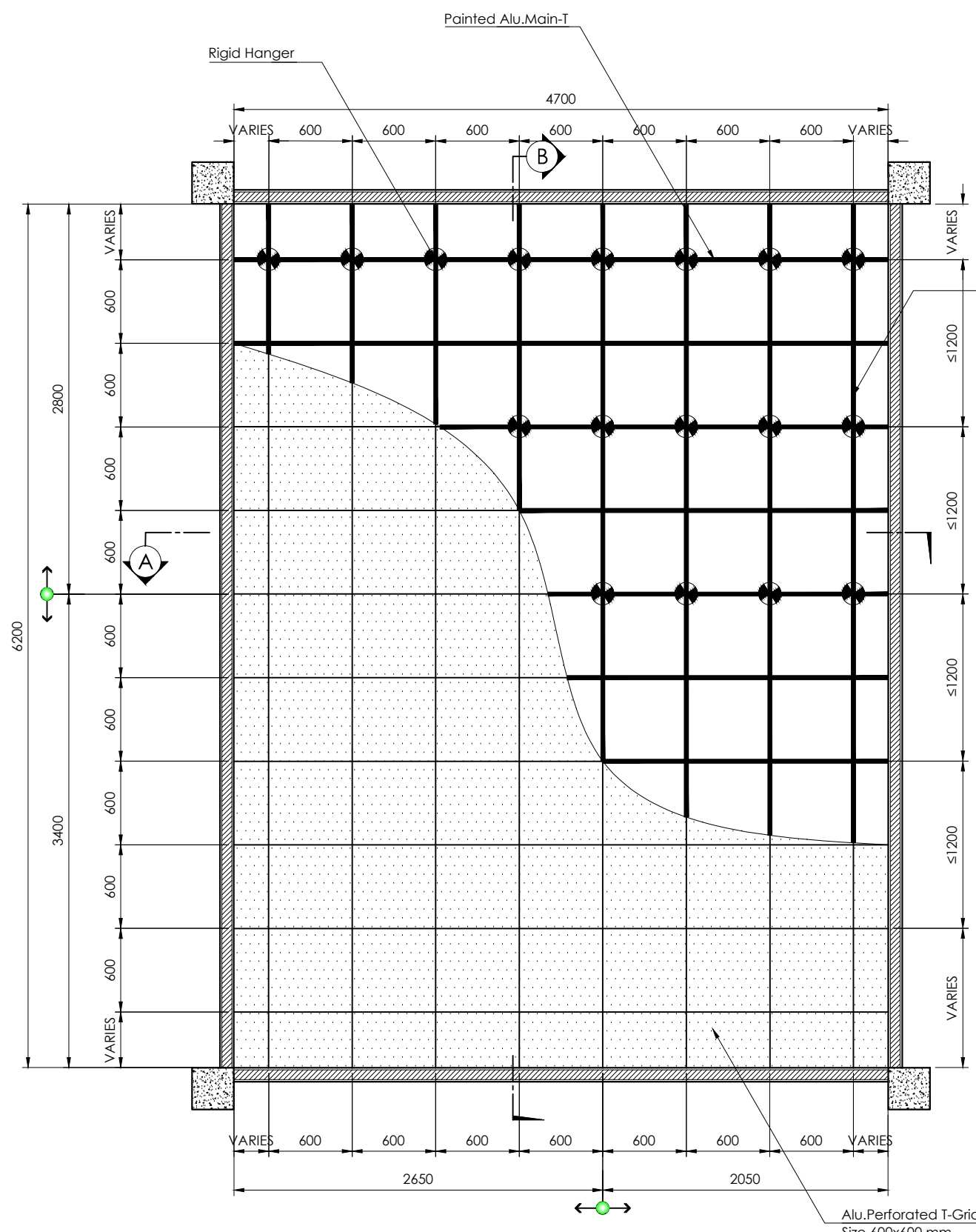
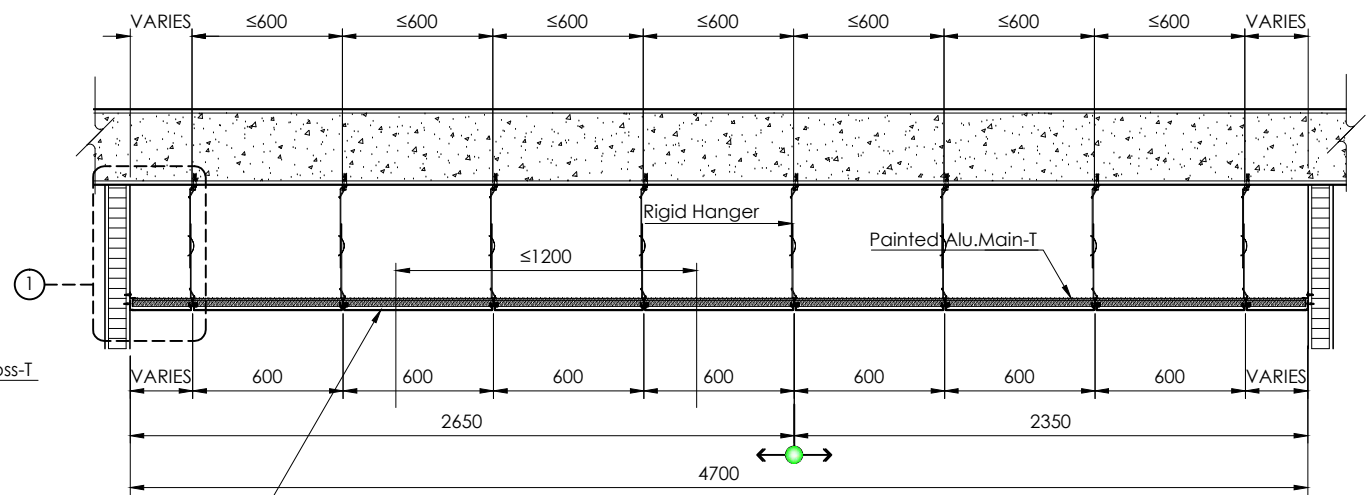


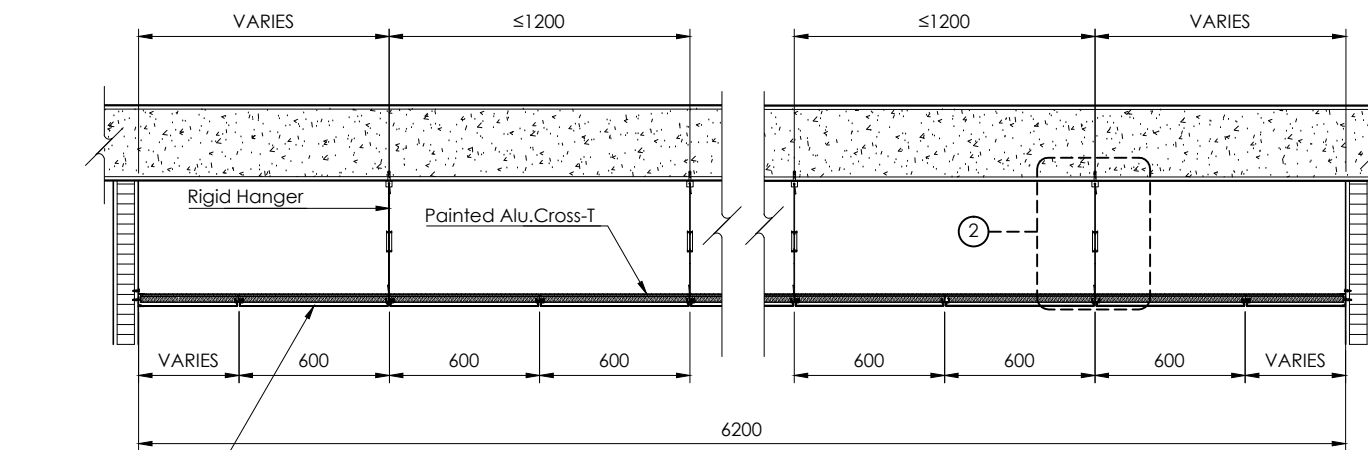
REVISION	DESCRIPTION	DATE	CHECKED
△			



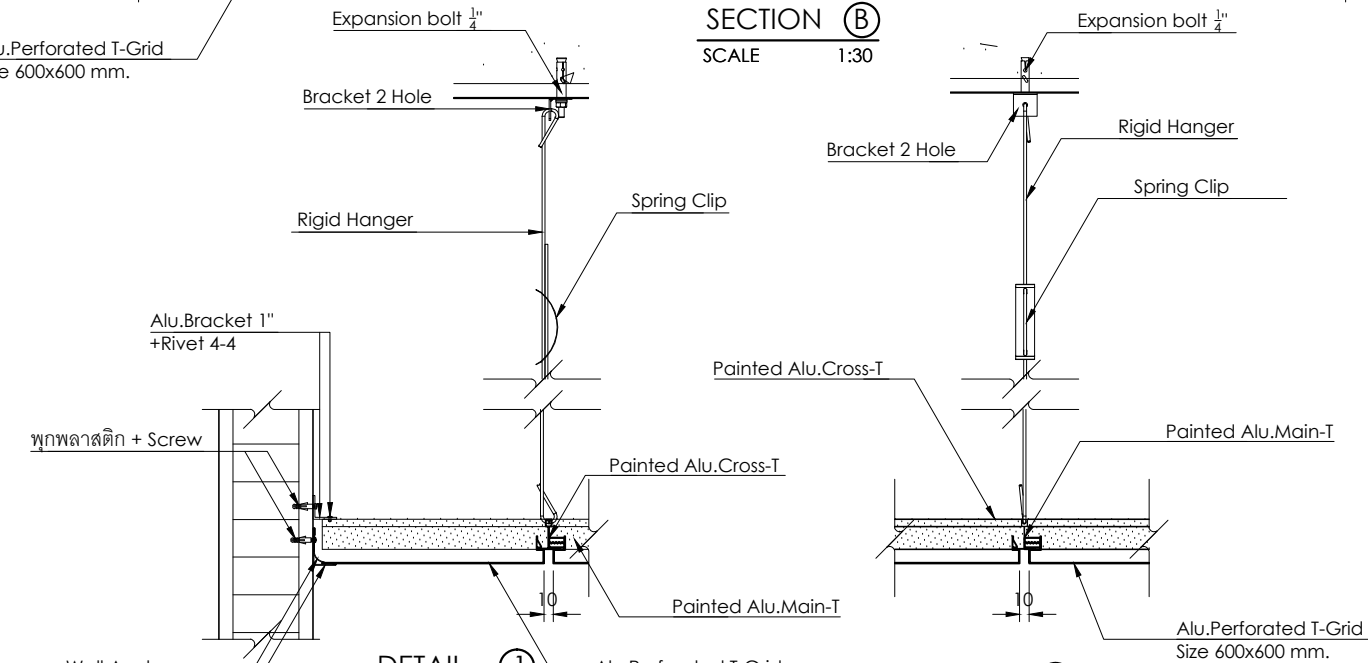
KEY PLAN
SCALE 1:40



SECTION A
SCALE 1:30



SECTION B
SCALE 1:30



DETAIL 1
SCALE 1:8

DETAIL 2
SCALE 1:8

<p>Fameline ARCHITECTURAL PRODUCTS WARNING: ALL DESIGN AND DRAWING ARE PROPERTY OF FAMELINE PRODUCTS CO.,LTD. CANNOT USED WITHOUT THEIR PERMISSION</p>	PROJECT :	REFERENCE :	CHECKED BY :	DRAWN BY : FAMELINE		DWG. No
	STANDARD DRAWING	DSR No. -		ISSUE : 0	DATE : 00/00/0000	00 / SH-01
	TITLE :	Revision : 0	APPROVED BY (PDM)	SCALE :	REVISION 0	TOTAL
						0