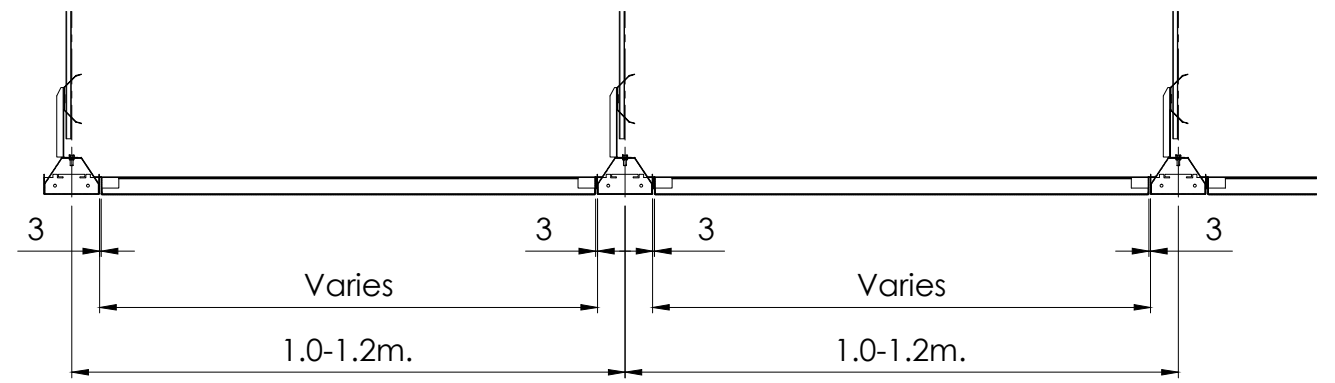
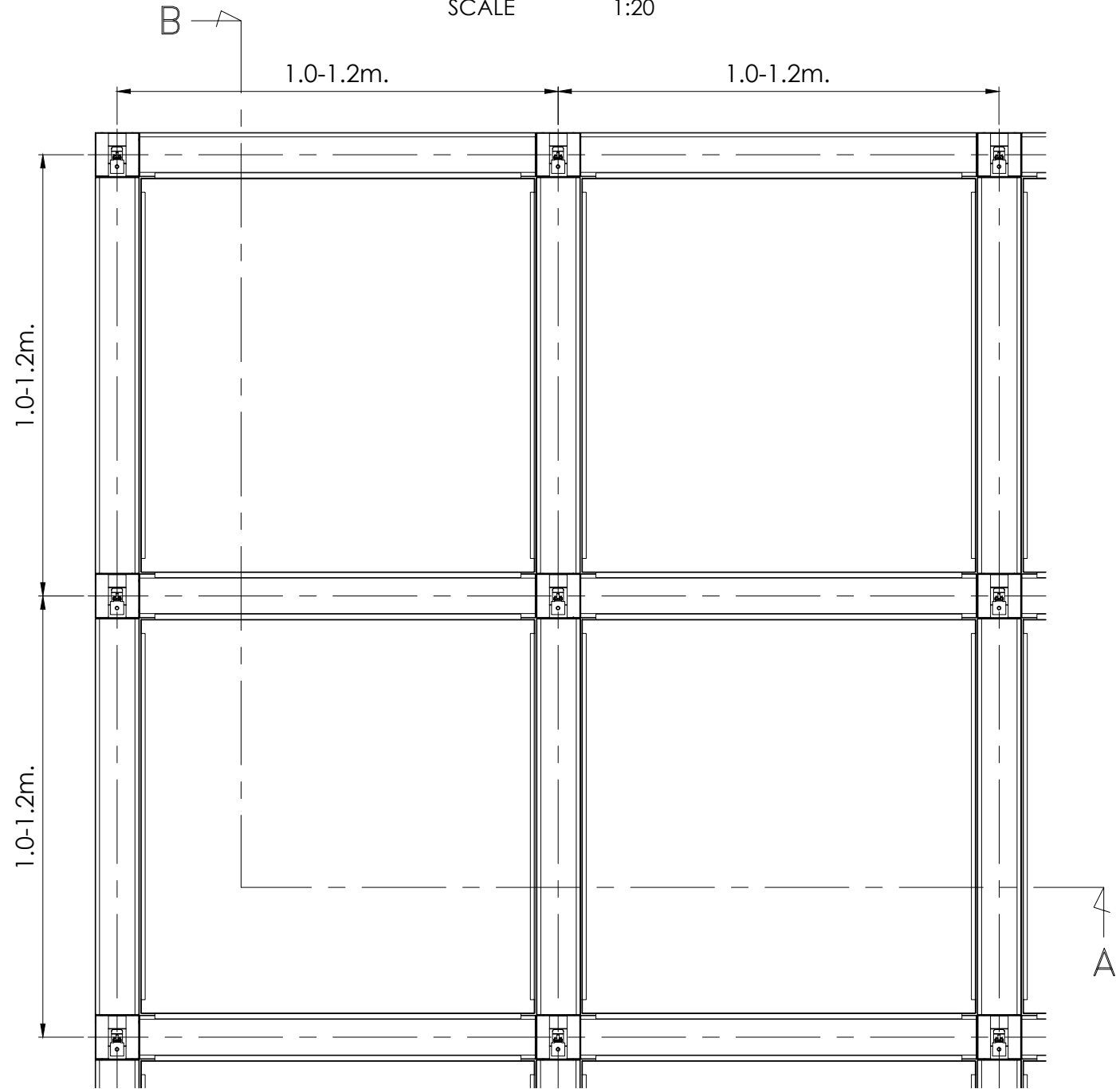


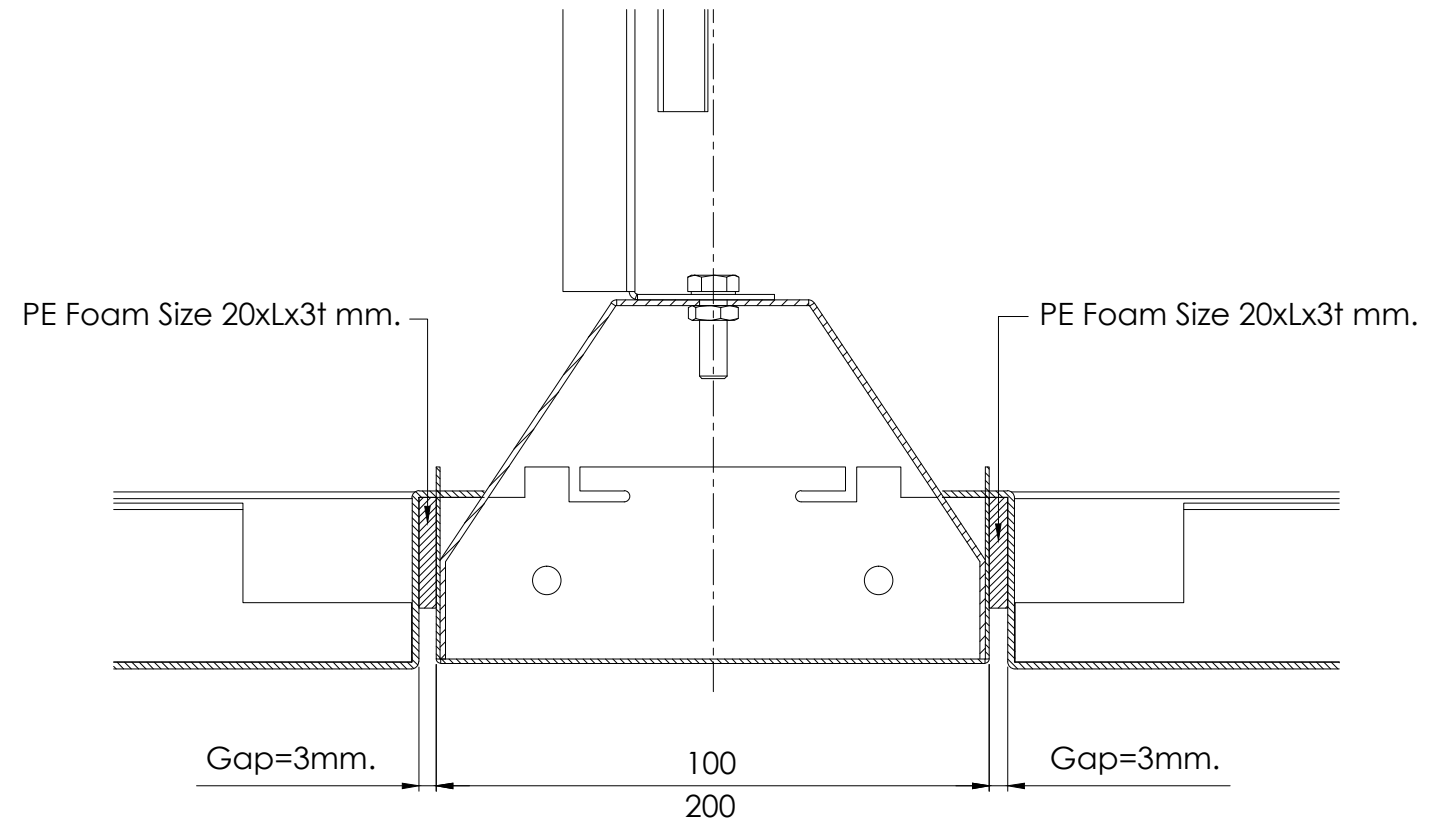
SECTION A-A
SCALE 1:20




SECTION B-B
SCALE 1:20



TOP VIEW
SCALE 1:20



DETAIL 1
SCALE 1:2

 ARCHITECTURAL PRODUCTS WARNING: ALL DESIGN AND DRAWING ARE PROPERTY OF FAMELINE PRODUCTS CO.,LTD. CANNOT USED WITHOUT THEIR PERMISSION	INSTALLATION drawing		PREPARED BY.	No.
	PRODUCT NAME : TARTAN GRID system		APPROVED BY.	DATE :
				REVISION : 0